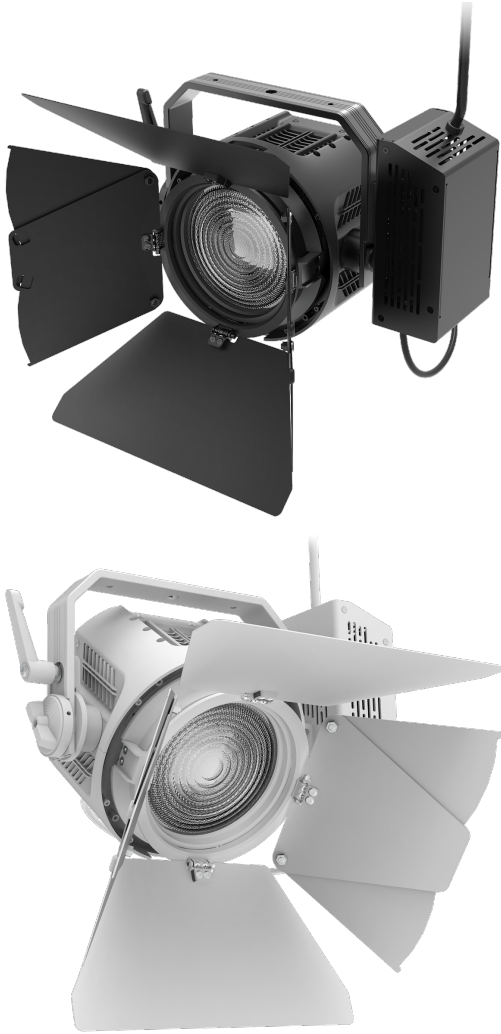


# P5F Fresnel Light (Clamp)

## 175W LED/ 12°- 55°



- Cine-Grade Light Quality
- Point-Source LED
- DMX Controllable
- 175W Power Draw
- Compact (< 12" of Vertical Space)

### ORDERING GUIDE

**CXP5F** -  -  - **CLP** - **PSV** -

#### Mode

<b>CLR</b>	All Modes
<b>EZ</b>	All EZ Modes
<b>RGB</b>	RGB Mode Only
<b>CCT</b>	Tunable CCT Mode Only
<b>3200</b>	Fixed 3200K
<b>5600</b>	Fixed 5600K

#### Finish

<b>WH</b>	White
<b>BK</b>	Black

#### Mount

<b>CLP</b>	Clamp Mount
------------	-------------

#### Power Supply & Control

<b>PSV</b>	Power Supply
------------	--------------

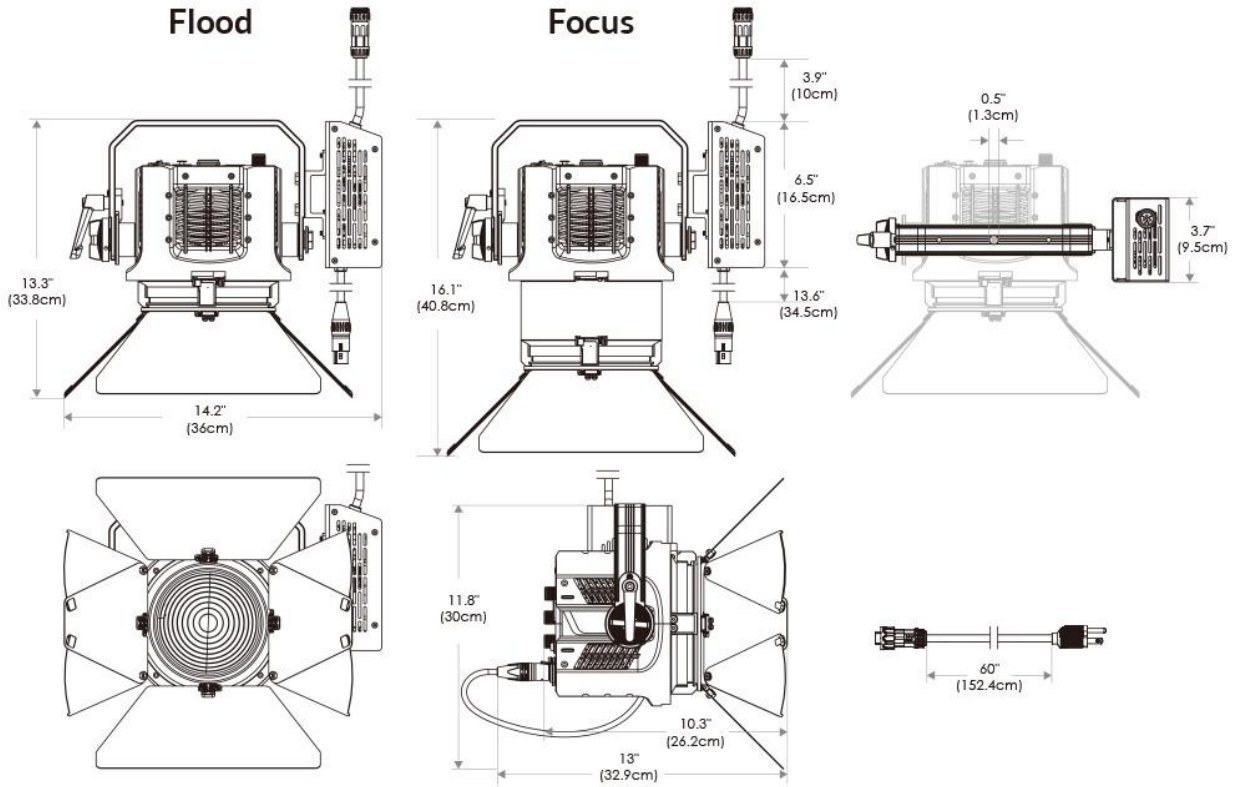
#### Plug/Connection

<b>US</b>	US 120V
<b>EU</b>	EU 220V

### SPECIFICATIONS

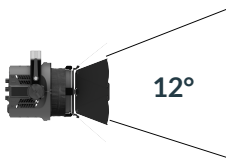
Beam Angle	12°- 55°
CRI / TLCI	95/90 typical (in CCT Mode of 2800K-6500K)
Dimming	100% - 0% flicker free
Power Draw	175W max
AC Input	100 - 240V AC, 50 - 60Hz
Remote Control	DMX 512
Cooling	Fan Cooled
Operating Temp.	32 - 104°F (0 - 40°C)
Weight (Fixture + Power Supply)	9.6lb / 4.4kg

**MECHANICAL FIGURES**



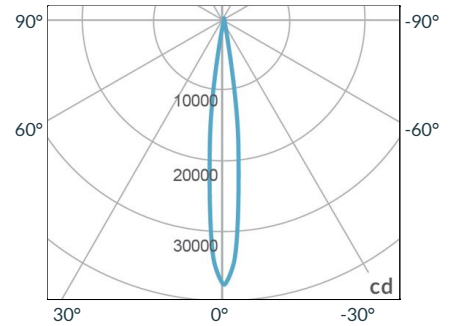
**PHOTOMETRIC DATA**

**Focus**

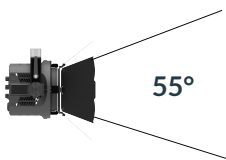


Distance		3' (~0.9 m)	10' (~3.0 m)	15' (~4.6 m)
@3200K	fc	3150	359	128
	lux	33907	3865	1378
@5600K	fc	3296	376	134
	lux	35478	4048	1443
Beam Diameter		Ø 0.7' (~0.2m)	Ø 2.1' (~0.6m)	Ø 3.5' (~1.1m)

Beam Angle : 12°

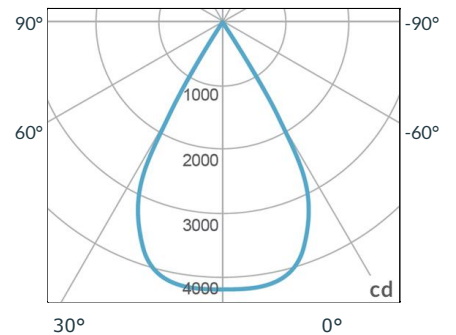


**Flood**



Distance		3' (~0.9 m)	10' (~3.0 m)	15' (~4.6 m)
@3200K	fc	385	45	17
	lux	4145	485	183
@5600K	fc	406	47	18
	lux	4371	506	194
Beam Diameter		Ø 0.9' (~0.6m)	Ø 8.6' (~2.6m)	Ø 14.4' (~4.4m)

Beam Angle : 55°



## MODE DESCRIPTION

Mode Description	Available Modes
- CLR	All Modes (8 bit and 16 bit)
- EZ	All EZ Modes (8 bit) ( EZ CCT / EZ HSI / EZ RGBW / EZ RGB / EZ ICTHS / EZ ICT RGBW / EZ 3200K / EZ 5600K)
- RGB	EZ RGB (8 bit)
- CCT	EZ CCT (8 bit)
- 3200	EZ 3200K (8 bit)
- 5600	EZ 5600K (8 bit)

See Downloads portion of webpage for full DMX profiles